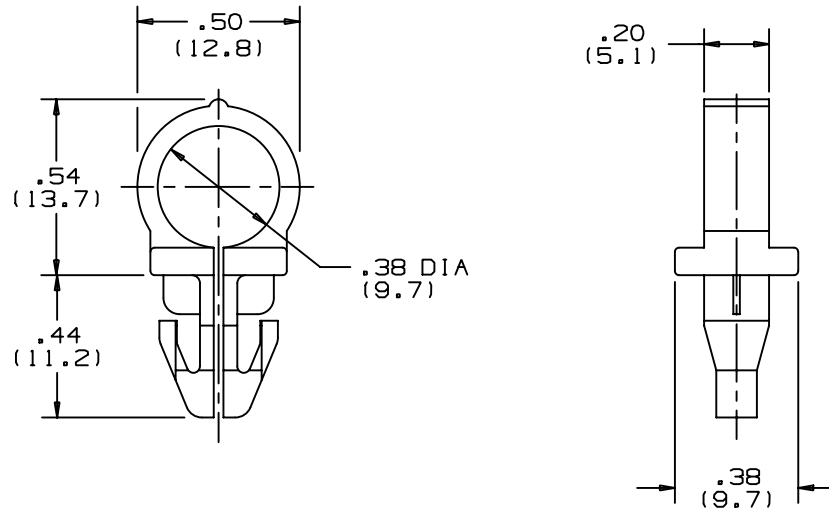


THIS COPY IS PROVIDED ON A RESTRICTED BASIS AND IS NOT TO BE USED IN ANY WAY DETRIMENTAL TO THE INTERESTS OF PANDUIT CORP.



PANDUIT PART NUMBER	MAXIMUM CABLE DIAMETER	PANEL DIMENSIONS		WEIGHT LBS ⁵ /100 PCS. (g)
		THICKNESS	HOLE SIZE	
SICH38	.38 (9.7)	.03/.10 (0.8/2.5)	.250 (6.4)	.15 (69)

NOTES:

1. SEE CURRENT PRICE SHEET FOR PART NUMBER SUFFIX DESIGNATION FOR PACKAGE SIZE AND PART COLOR.

										(DIMENSIONS IN PARENTHESES ARE METRIC)					
										CAD FILENAME/LAYERS G0239JL_PB_SICH38_00					
										PANDUIT CORP. TINLEY PARK, ILLINOIS					
										SNAP-IN CLIP SICH38					
										UNLESS OTHERWISE SPECIFIED, DIMENSIONAL TOLERANCES ARE: (.X) ± N/A (.XXX) ± .010 (.25) (.XX) ± .02 (.5) ANGLES ± N/A		UNLESS OTHERWISE SPECIFIED, ALL DIMENSIONS ARE GIVEN IN INCHES, THIRD ANGLE PROJECTION.			
										DRAWN BY LGG		MAT'L: NYLON 6/6		SCALE 2/1	
										DATE 9-4-02		DRAWING NO. G0239JL		DWG A SIZE	
										CHK'D					
R	9-4-02	LGG		INITIAL RELEASE. REPLACED G-00841	G0239JL	R									
REV	DATE	BY	CHK	DESCRIPTION	ECN	R	CUST	SUP							